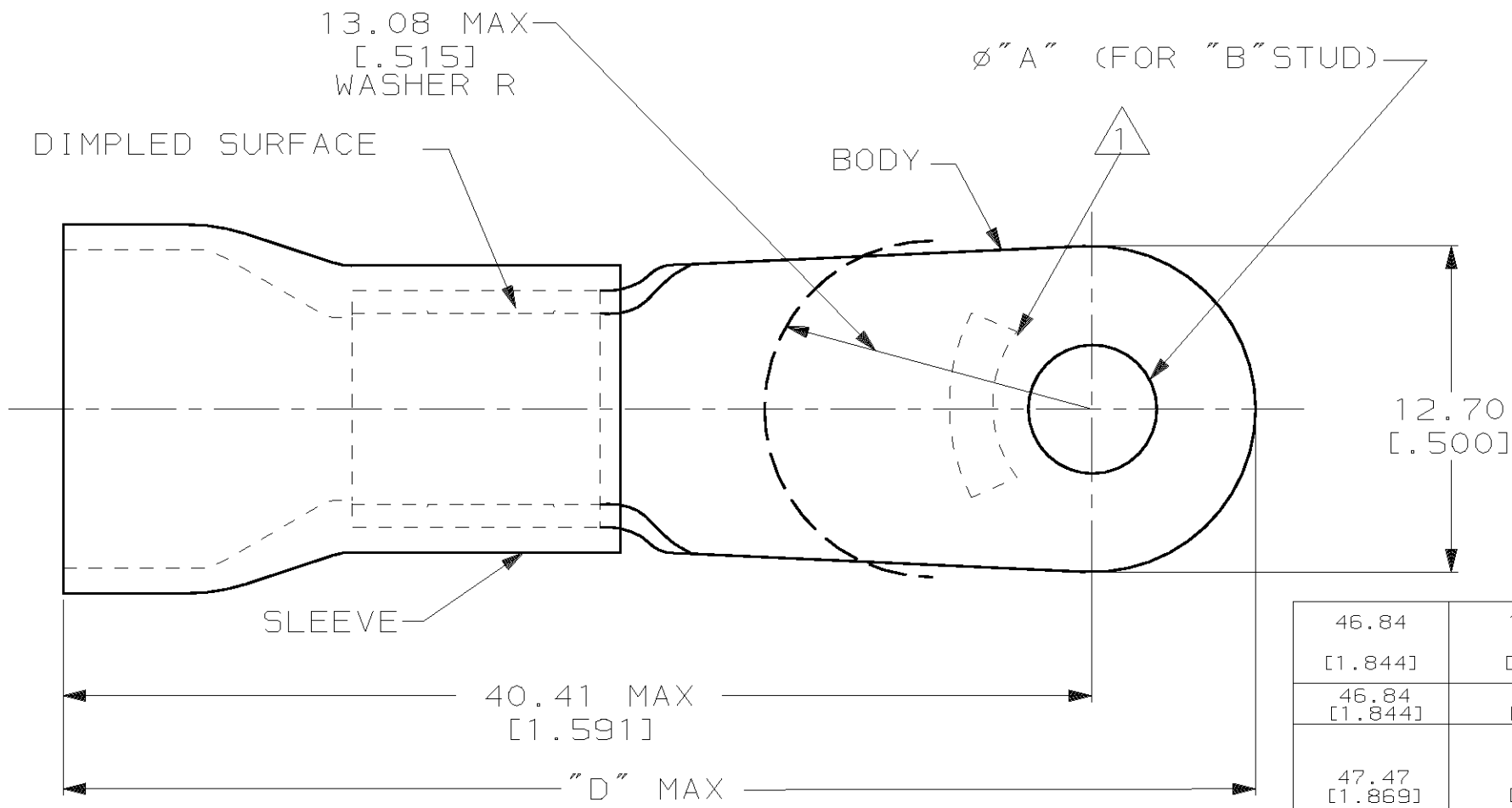


THIS DRAWING IS UNPUBLISHED. RELEASED FOR PUBLICATION, 19 .
© COPYRIGHT 19 BY AMP INCORPORATED. ALL INTERNATIONAL RIGHTS RESERVED.

LOC G	DIST 14	P	F	REVISIONS				
				ZONE	LTR	DESCRIPTION	DATE	APPD
					AB	REV PER 063A-0614-01	19NOV01	S ^R TM

AMP WIRE RANGE	RU FILE E13288	SR LR7189 Certified
6 AWG STRANDED	6 AWG STRANDED	6 AWG STRANDED



- 1. STAMP AMP 6* LOCATE APPROX AS SHOWN
- 2. TONGUE MATERIAL THK 1.14±0.08 [.045±.003]
- 3. SEE TABLE FOR WIRE INSULATION DIA MAX
- 4. TAPE ITEMS ARE ON 30.48 [1.200] CENTERS
- 5. OBSOLETE AND REPLACED BY 52042-5

46.84 [1.844]	11.43 [.450]	1/4	6.73±0.13 [.265±.005]	500	ON TAPE	1-52042-4
46.84 [1.844]	11.07 [.436]	#10	5.00±0.08 [.197±.003]	100	LOOSE PC	1-52042-3
47.47 [1.869]	9.14 [.360]	1/4	6.73±0.13 [.265±.005]	20	LOOSE PC, BOX SPL	9-52042-5
46.84 [1.844]	11.07 [.436]	#8	4.34±0.08 [.171±.003]	500	ON TAPE	8-52042-5
47.47 [1.869]	9.14 [.360]	#10	5.00±0.08 [.197±.003]			52042-9
46.84 [1.844]	11.07 [.436]	1/4	6.73±0.13 [.265±.005]			52042-7
47.47 [1.869]	9.14 [.360]	#8	4.34±0.08 [.171±.003]			52042-6
46.84 [1.844]	11.07 [.436]	1/4	6.73±0.13 [.265±.005]	100	LOOSE PC	52042-5
47.47 [1.869]	9.14 [.360]	#10	5.00±0.08 [.197±.003]			52042-4
46.84 [1.844]	11.07 [.436]	1/4	6.73±0.13 [.265±.005]			52042-3
47.47 [1.869]	9.14 [.360]	#8	4.34±0.08 [.171±.003]			52042-2
46.84 [1.844]	11.07 [.436]	1/4	6.73±0.13 [.265±.005]			52042-1
47.47 [1.869]	9.14 [.360]	#8	4.34±0.08 [.171±.003]			52042

AMP INCORPORATED CUSTOMER SERVICE SYSTEMS		MAX RECOMMENDED OPERATING TEMPERATURE: 90°C		DO NOT SCALE PRINT. UNLESS SPECIFIED DIMENSIONS IN mm [INCHES] TOLERANCES ON: 2 PLC DEC ± 0.20 [.008] 3 PLC DEC ± - ANGLES ± -		DR 9-29-93 S.S. GOULDEN CHK 9-29-93 R. HERSEY APPD 9-29-93 B. BARE APPD 9-29-93 M. ELLIS		AMP AMP Incorporated Harrisburg, PA 17105-3608		
FOR ADDITIONAL PRODUCT INFORMATION OR COPIES OF DRAWINGS AND TECHNICAL DOCUMENTS	PRODUCT INFORMATION CENTER 1-800-522-6752	VOLTAGE RATING 600 V MAX		MATERIAL COPPER PER ASTM B-152 PVC, COLOR, BLUE		PRODUCT SPEC NOT AVAILABLE		NAME TERMINAL, RING TONGUE, PLASTIC-GRIP™, WIRE SIZE, 6 AWG		
FOR APPLICATION TOOLING INFORMATION	TOOLING ASSISTANCE CENTER 1-800-722-1111	CIRCULAR MIL AREA: 10.54-16.77mm² [20,800-33,100] STRANDED		FINISH TIN PLATE PER ASTM B 545		APPLICATION SPEC NOT AVAILABLE		SIZE B	CAGE CODE 00779	DRAWING NO C-52042
FOR ORDER ENTRY	1-800-526-5142	THIS DRAWING IS A CONTROLLED DOCUMENT FOR AMP INCORPORATED. IT IS SUBJECT TO CHANGE AND THE CONTROLLING ENGINEERING ORGANIZATION SHOULD BE CONTACTED FOR THE LATEST REVISION.		WEIGHT -		SCALE NTS		SHEET 1 OF 1		